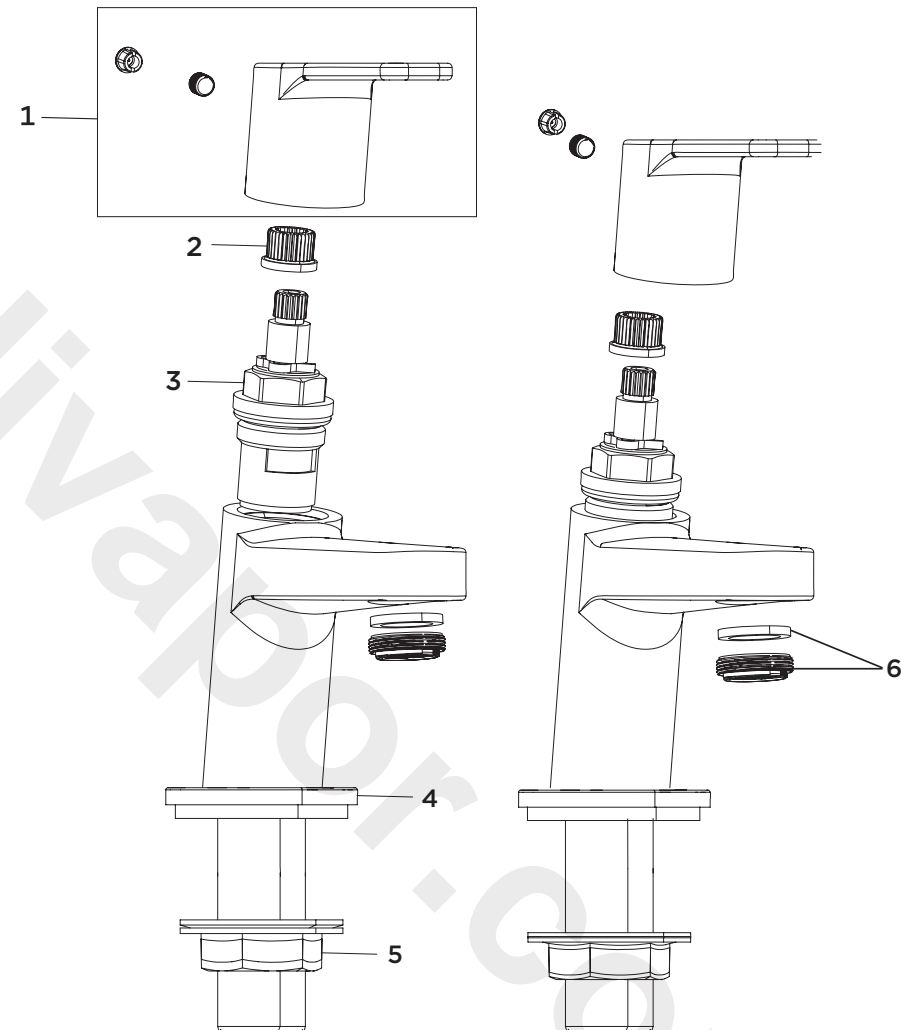


Product Code: PS2 1/2 C

Revision: D1



1	Handle Assembly
2	Spline Adapter
3	Ceramic valves
4	Plinth
5	Backnut & Washer
6	Flow Straightener